



DIY Carport Kits

Style and stability for many years to come

ARCADIA



**An innovative
easy-to-install
designer
DIY carport.**

- Easy assembly – 2 people, no special tools, no foundation fixing
- Maintenance free
- Rust resistant aluminium powder coated frame
- Virtually unbreakable polycarbonate covering
- Available size 5.02m x 3.62m x 2.42m (LxWxH)



VANGUARD

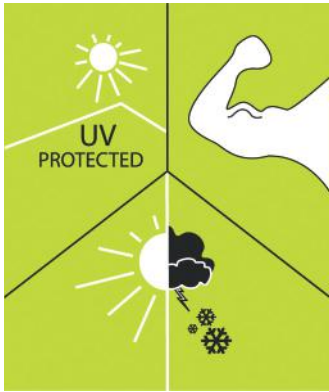


**A traditional
gable designer
ready-to-install
carport.**

- Unique gable aluminium roof structure
- Integrated polycarbonate roofing sheet
- No screw fixing required
- Suits most car sizes
- Available sizes 5.01m x 3.38m x 2.78m (LxWxH)



DIY Carport Kits *Style and stability for many years to come*



Heavy duty – weather resistant



Gutters included



Anchoring kit included



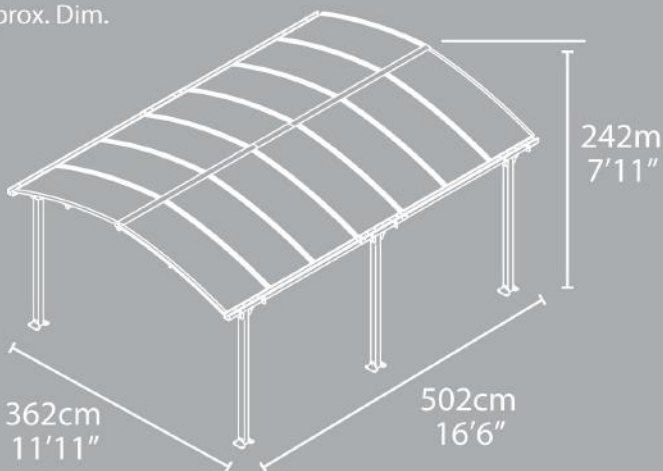
Sliding roof panel system

ARCADIA & VANGUARD

- Easy 2 person assembly
- No unique tools required
- Ready to assemble – pre-drilled profiles
- No heavy parts
- No roof climbing required
- Requires only solid surface, no foundation fixing required
- Step-by-step installation instructions
- Wide and high entrance for safe and easy access
- 99.9% UV protected – does not yellow in the sun
- Gutters and downpipes included – downpipes ready to connect to storm water
- Building Code (BCA) approved
- Engineer's certificate supplied

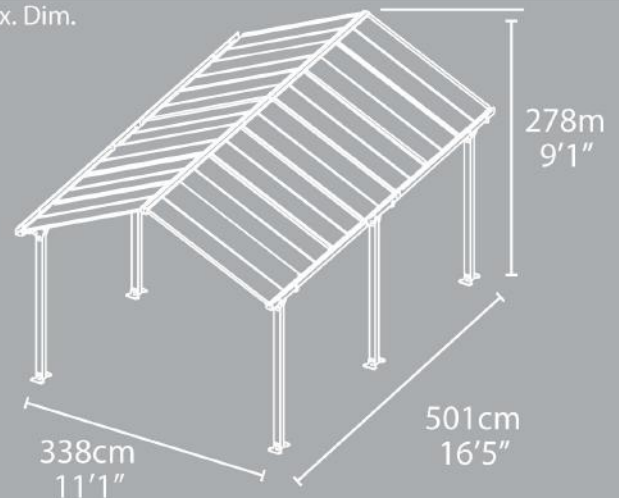
Arcadia 5000 Carport Dimensions

Approx. Dim.



VanGuard 5000 - Dimensions

Approx. Dim.



Palram Australia Pty. Ltd.,
16 Merri Concourse,
Campbellfield VIC 3061



Manufactured and marketed by:
PALRAM Applications Ltd.
is a member of PALRAM Ind.